

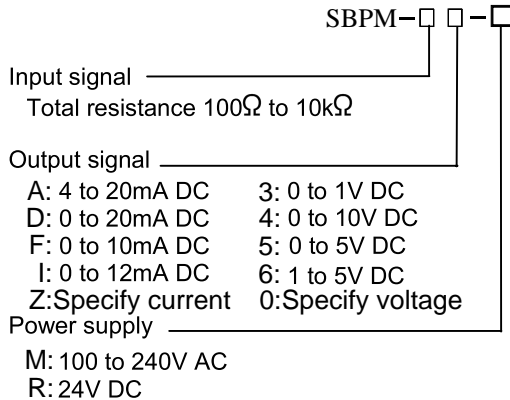
Porentiometer transmitter

MODEL SBPM

■ Features

- Simple wiring using a plug-in socket
- Compact
- 3-port insulation (Input-Output-Power)

■ Model



■ How to order

Specify a model name.
(e.g.) SBPM-A-M

■ Input specifications

Total resistance : 100Ω to 10kΩ
Reference voltage: 1.0V DC
Minimum span : 50% or more of the Total resistance

■ Output specifications

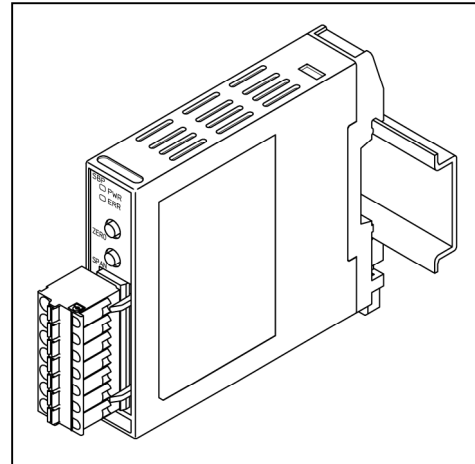
When the output range lower limit is zero, (even if zero adjustment results in a negative value), output value will not indicate a negative value.

DC current

Output range	Allowable load resistance
4 to 20mA DC	600Ω or less
0 to 20mA DC	600Ω or less
0 to 12mA DC	1kΩ or less
0 to 10mA DC	1kΩ or less

DC voltage

Output range	Allowable load resistance
0 to 1V DC	100Ω or more
0 to 5V DC	500Ω or more
1 to 5V DC	500Ω or more
0 to 10V DC	1kΩ or more

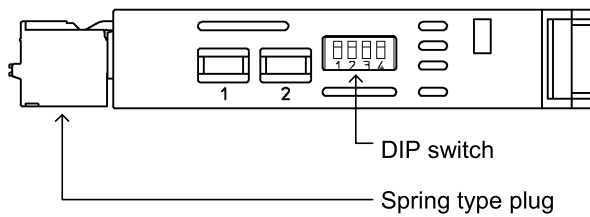
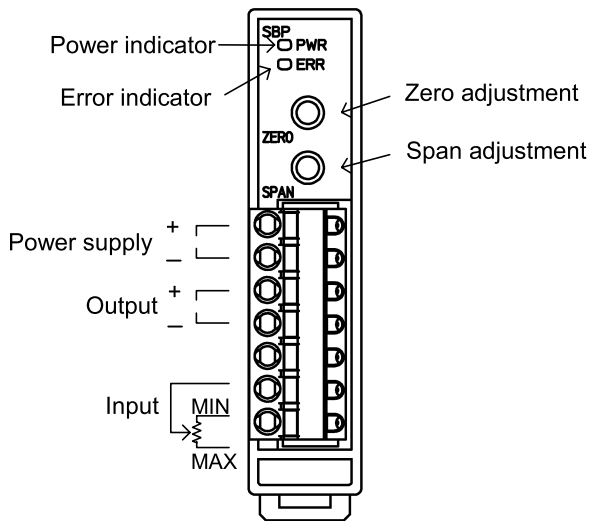


■ Performance

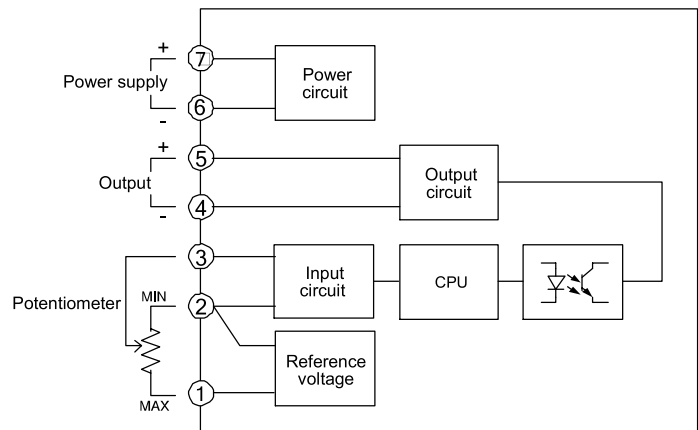
Accuracy : Within ±0.2%
Response time : 1 sec. (0 → 90%)
(Average 0.5 sec)
Temperature coefficient: ±0.015%/°C
Insulation resistance : 10MΩ or more, at 500V DC
(Input-Output-Power)
Dielectric strength : 2.0kV AC for 1 minute
(Input-Output-Power)

■ General specifications

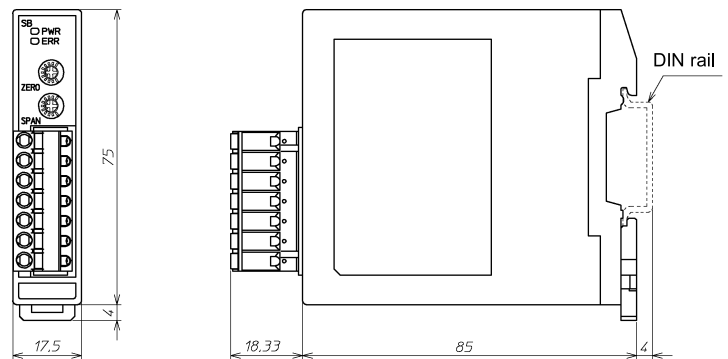
Case : Flame resistant resin, Color: Light gray
Panel : Polycarbonate
Spring type plug: Polyamide, Color: Green
Adjustment : By the front adjustment button
Zero adjustment:
By pressing the Zero adjustment button for 2 seconds after setting the input potentiometer to any position of the MIN side, zero position is automatically registered.
Span adjustment:
By pressing the Span adjustment button for 2 seconds after setting the input potentiometer to any position of the MAX side, span position is automatically registered.
Indication:
PWR indicator: Green
Lights when power is turned on.
Flashes in 500ms cycles when an error has occurred in non-volatile memory.
ERR indicator: Red
Flashes in 250ms cycles when input is 110% or more.
Flashes in 500ms cycles when input is -10% or less.
Output status selection:
Output status either Normal or Reverse can be selected by the DIP switch.
No.1 OFF: Normal, ON: Reverse
Momentary power failure: 30msec
Self diagnosis:
The CPU is monitored by a watchdog timer, and when an abnormal status is found on the CPU, the unit restarts with the Reset action.



■ Circuit configuration, terminal arrangement



■ External dimensions (Scale: mm)



■ Installation specifications

Power supply

- 100 to 240V AC 50/60Hz
 Allowable voltage range: 85 to 264V AC
 Power consumption : Approx. 3.5VA
- 24V DC
 Allowable voltage range: 20 to 28V DC
 Power consumption : Approx. 3.5W

Ambient temperature : -5 to 55°C

Ambient humidity : 35 to 85%RH (non-condensing)

Weight : Approx. 80g

Mounting method : DIN rail mounting

Be sure to use fastening plates at both ends of the unit after the unit is mounted to the DIN rail.

External dimensions : 17.5 (W) x 75 (H) x 85 (D) mm

■ Environmental specification

RoHS directive compliance

■ Ferrules

Made by Phoenix Contact GMBH & CO.

Insulation sleeve attached

Model	Conductor cross section
AI0.25-6BU	0.2 – 0.25mm ²
AI0.34-8TQ	0.25 – 0.34mm ²
AI0.5-8WH	0.34 – 0.5mm ²
AI0.75-8GY	0.5 – 0.75mm ²
AI1-8RD	0.75 – 1.0mm ²
AI1.5-8BK	1.0 – 1.5mm ²
AI2.5-8BU	1.5 – 2.5mm ²

Crimping pliers

- CRIMPFOX ZA3
- CRIMPFOX UD6